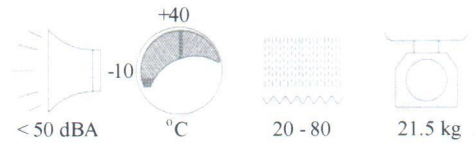
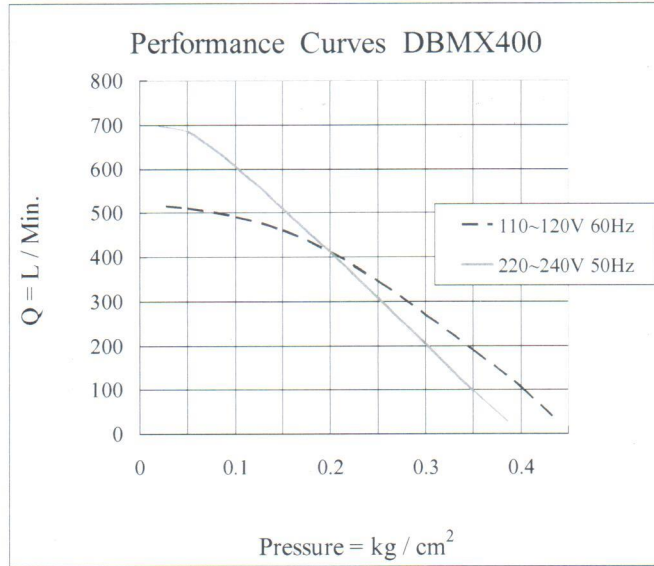


Model No. DBMX400

Performance / Rendimiento / Prestanda

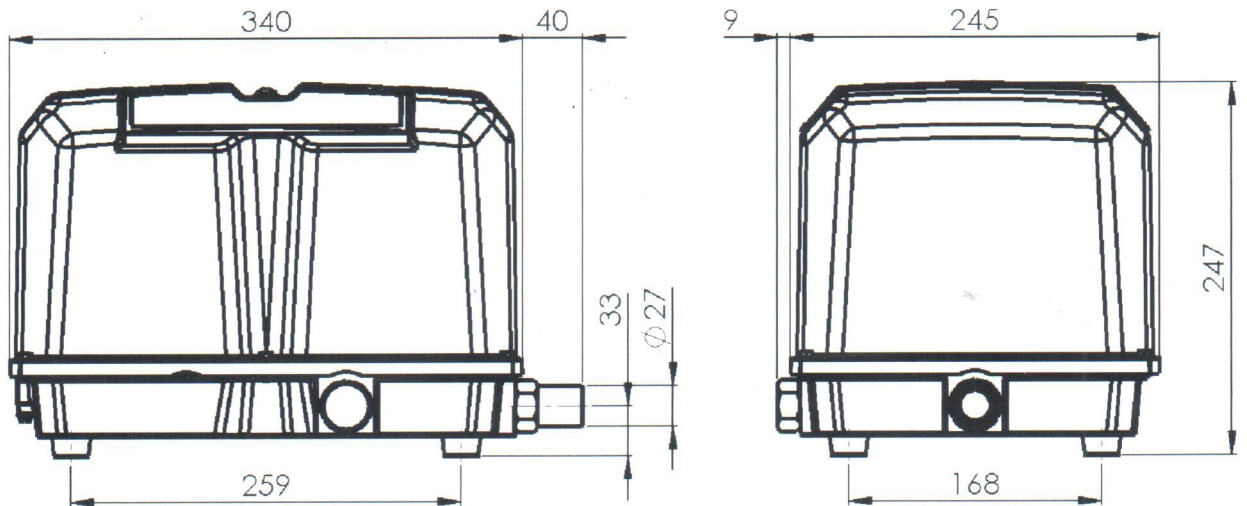


★ Allowance : $\pm 5\%$



Exhaust

Dimensions / Dimensioner (mm)



Operating range : 0.1 to 0.28 kg/cm²

Model No.	Voltage (VAC)	Frequency (HZ)	Rated Pressure (kg/cm ²)	Airflow (LPM)	AMP (A)	WATT (W)
DBMX400	110 ~ 120	60	0.2	400	4.8	350
DBMX400	220 ~ 240	50	0.2	400	2.6	350