

LINEAR



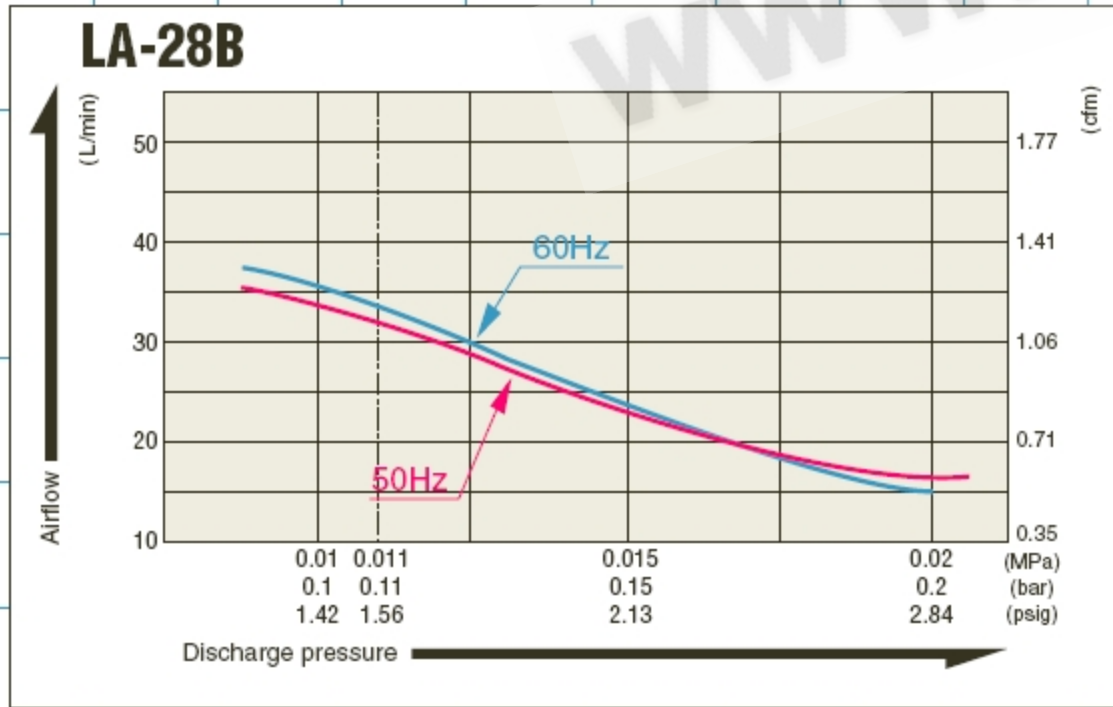
MOTOR FREE
PISTON SYSTEM



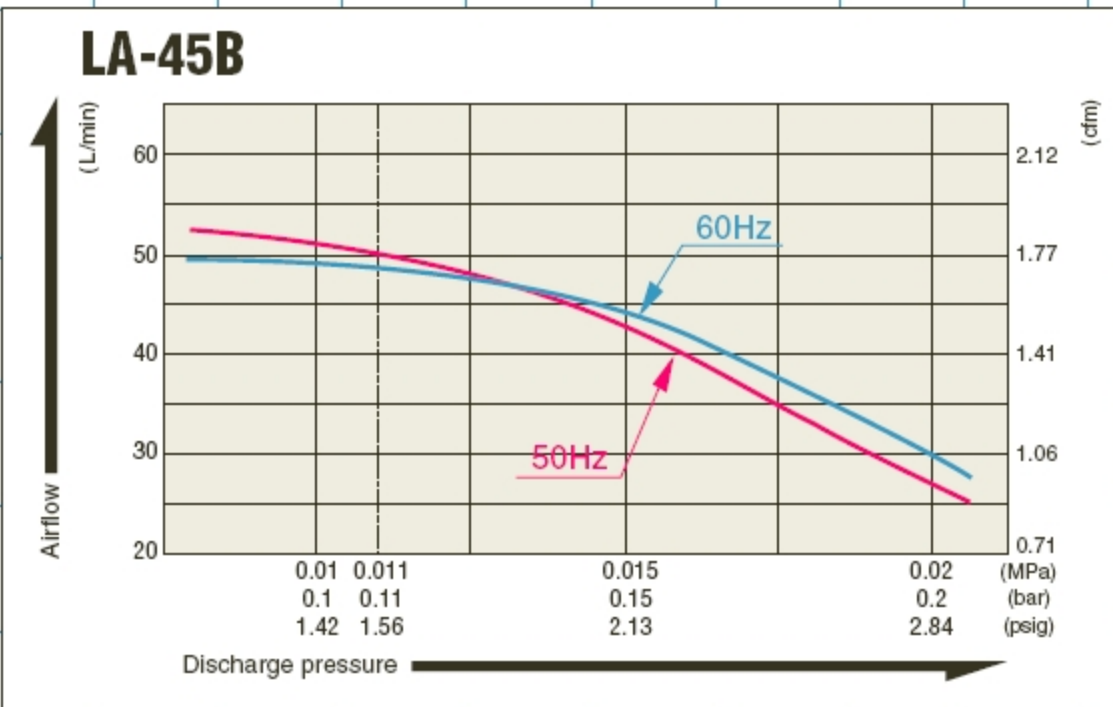
LA-28B LA-45B

Airflow Characteristics

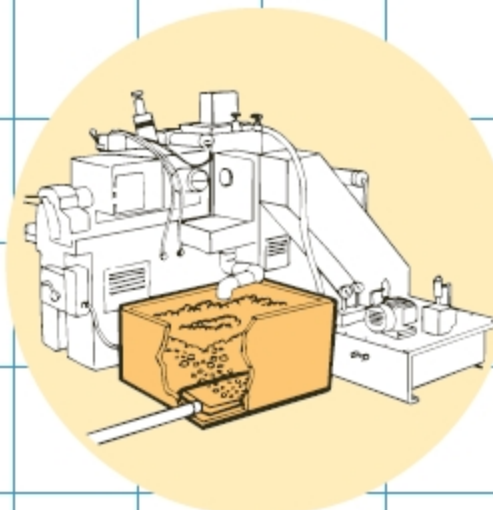
Specifications



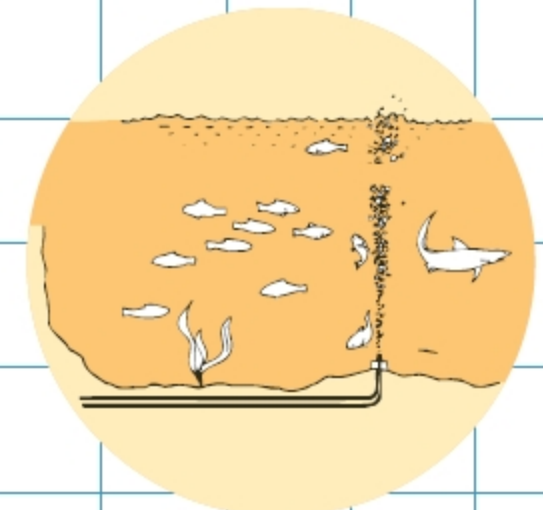
	LA-28B	LA-45B
Power Supply	120 V, 220 V, 230 V, 240 V AC	
Rated Frequency	50 Hz, 60 Hz	
Rated Pressure	0.011 MPa {0.11kgf/cm ² }, 0.11 bar or 1.56 psig	
Rated Airflow	28 L/min {0.99 cfm}	45 L/min {1.59 cfm}
Power Consumption	29 W / 50 Hz	47 W / 50 Hz
	25.5 W / 60 Hz	45 W / 60 Hz
Weight	2.9 kg {6.4 lbs}	3.0 kg {6.6 lbs}



Application Examples



Liquid Mixer Bubbling



Fish Farm Aquatic Fence

Sketch Drawing and Mounting Dimensions Diagram (mm)

